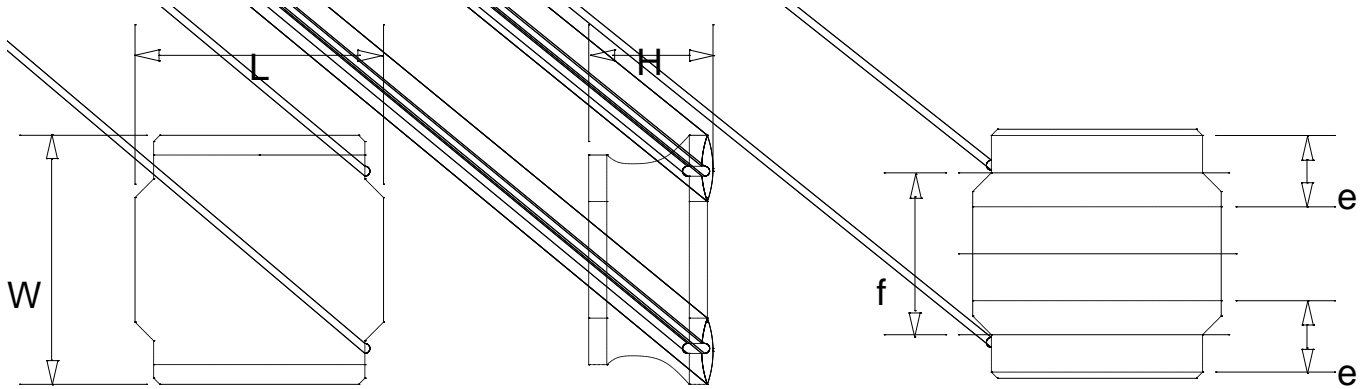




## WOUND CHIP POWER INDUCTORS - (NR)

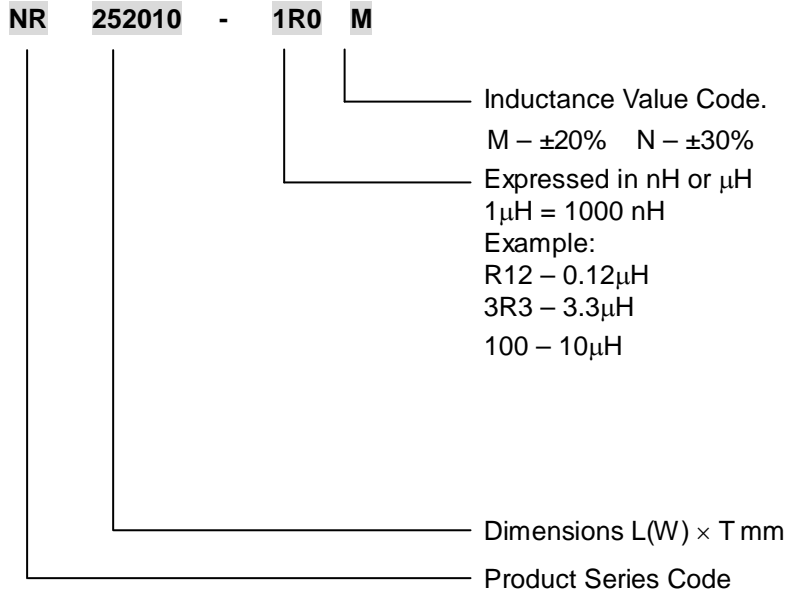
### ■ Dimensions and Construction



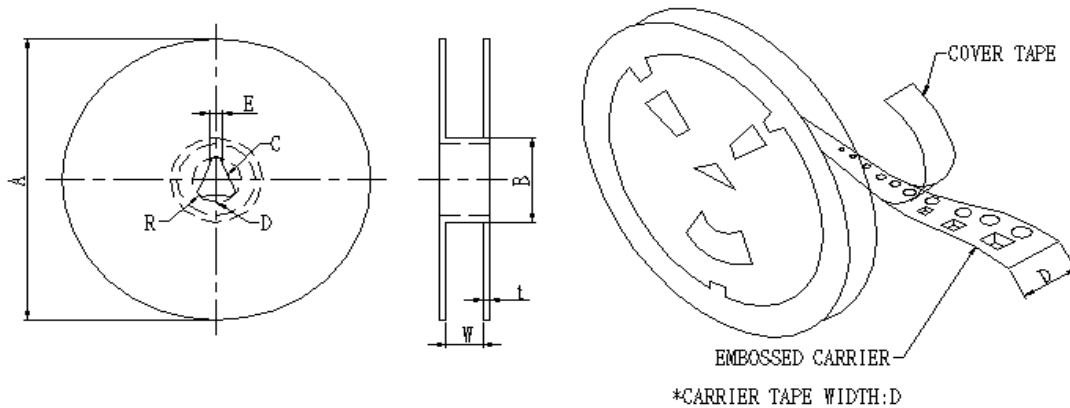
Type	L	W	H	e	f	Standard[pcs] quantity Taping
NR252010	2.5±0.1	2.0±0.1	1.0 max	0.8±0.2	0.8±0.2	2000
NR252012	2.5±0.1	2.0±0.1	1.2 max	0.8±0.2	0.8±0.2	2000
NR3010	3.0±0.2	3.0±0.2	1.0 max	0.75±0.2	1.5±0.2	2000
NR3012	3.0±0.2	3.0±0.2	1.2 max	0.75±0.2	1.5±0.2	2000
NR3015	3.0±0.2	3.0±0.2	1.5 max	0.75±0.2	1.5±0.2	2000
NR4010	4.0±0.2	4.0±0.2	1.0 max	0.75±0.2	1.5±0.2	5000
NR4012	4.0±0.2	4.0±0.2	1.2 max	0.95±0.2	2.1±0.2	4500
NR4018	4.0±0.2	4.0±0.2	1.5 max	0.95±0.2	2.1±0.2	3000
NR4020	4.0±0.2	4.0±0.2	2.0 max	0.95±0.2	2.1±0.2	3000
NR4026	4.0±0.2	4.0±0.2	2.6 max	0.95±0.2	2.1±0.2	2500
NR4030	4.0±0.2	4.0±0.2	3.0 max	0.95±0.2	2.1±0.2	2000
NR5012	5.0±0.2	5.0±0.2	1.2 max	1.25±0.2	2.5±0.2	4500
NR5020	5.0±0.2	5.0±0.2	2.0 max	1.25±0.2	2.5±0.2	2500
NR5040	5.0±0.2	5.0±0.2	4.0 max	1.25±0.2	2.5±0.2	1500
NR6020	6.0±0.3	6.0±0.3	2.0 max	1.55±0.3	2.9±0.3	2500
NR6028	6.0±0.3	6.0±0.3	2.8 max	1.55±0.3	2.9±0.3	2000
NR6045	6.0±0.3	6.0±0.3	4.5 max	1.55±0.3	2.9±0.3	1500
NR8040	8.0±0.3	8.0±0.3	4.0 max	2.00±0.3	4.0±0.3	1000



## ■ Part Numbering System



## ■ TAP



Unit: ml

TYPE	..	~	~	~	-	..	-	R
T	180±0.5	60±1.0	13.0±0.5	--	2.0±0.5	10.0±1.5	2.5 or less	--



## NR252010

Part Number	Inductance	Test Frequency	Min.Self-resonant Frequency	DC Resistance	Max.Rated Current Saturation current	Max.Rated Current Temperature rise current
Units	( $\mu$ H)	(KHz)	MHz	( $\Omega$ )	[mA]	[mA]
NR252010-R47N	0.47 $\pm$ 30%	100	206	0.056	2,500	2,350
NR252010-R56N	0.56 $\pm$ 30%	100	160	0.072	2,900	2,000
NR252010-R68N	0.68 $\pm$ 30%	100	129	0.074	2,200	2,000
NR252010-1R0M	1.00 $\pm$ 20%	100	100	0.108	1,850	1,650
NR252010-1R5M	1.50 $\pm$ 20%	100	81	0.182	1,800	1,300
NR252010-2R2M	2.20 $\pm$ 20%	100	61	0.209	1,200	1,200
NR252010-3R3M	3.30 $\pm$ 20%	100	47	0.328	1,050	900
NR252010-4R7M	4.70 $\pm$ 20%	100	42	0.563	950	700
NR252010-5R6M	5.60 $\pm$ 20%	100	35	0.563	800	730
NR252010-6R8M	6.80 $\pm$ 20%	100	31	0.896	780	590
NR252010-100M	10.0 $\pm$ 20%	100	27	1.092	650	500

## NR252012

Part Number	Inductance	Test Frequency	Min.Self-resonant Frequency	DC Resistance	Max.Rated Current Saturation current	Max.Rated Current Temperature rise current
Units	( $\mu$ H)	(KHz)	MHz	( $\Omega$ )	[mA]	[mA]
NR252012-R47N	0.47 $\pm$ 30%	100	160	0.061	3,820	2,150
NR252012-R68N	0.68 $\pm$ 30%	100	140	0.074	3,280	1,950
NR252012-1R0N	1.00 $\pm$ 30%	100	110	0.090	2,590	1,930
NR252012-1R2N	1.20 $\pm$ 30%	100	100	0.129	2,380	1,460
NR252012-1R5M	1.50 $\pm$ 20%	100	97	0.147	2,240	1,400
NR252012-2R2M	2.20 $\pm$ 20%	100	69	0.216	1,850	1,150
NR252012-2R7M	2.70 $\pm$ 20%	100	63	0.239	1,720	1,090
NR252012-3R3M	3.30 $\pm$ 20%	100	62	0.264	1,610	1,040
NR252012-3R6M	3.60 $\pm$ 20%	100	53	0.348	1,460	900
NR252012-4R3M	4.30 $\pm$ 20%	100	51	0.377	1,370	870
NR252012-4R7M	4.70 $\pm$ 20%	100	47	0.377	1,120	840
NR252012-5R1M	5.10 $\pm$ 20%	100	44	0.500	1,230	750
NR252012-5R6M	5.60 $\pm$ 20%	100	38	0.538	1,110	730
NR252012-6R2M	6.20 $\pm$ 20%	100	38	0.542	1,030	730
NR252012-6R8M	6.80 $\pm$ 20%	100	38	0.581	980	690
NR252012-7R5M	7.50 $\pm$ 20%	100	35	0.611	970	680
NR252012-8R2M	8.20 $\pm$ 20%	100	36	0.658	980	650
NR252012-9R1M	9.10 $\pm$ 20%	100	34	0.690	910	620
NR252012-100M	10.0 $\pm$ 20%	100	34	0.690	790	620
NR252012-120M	12.0 $\pm$ 20%	100	28	1.075	780	510
NR252012-150M	15.0 $\pm$ 20%	100	25	1.591	680	420
NR252012-220M	22.0 $\pm$ 20%	100	20	1.976	530	380



## NR3010

Part Number	Inductance	Test Frequency	Min.Self-resonant Frequency	DC Resistance	Max.Rated Current Saturation current	Max.Rated Current Temperature rise current
Units	( $\mu$ H)	(KHz)	MHz	( $\Omega$ )	[mA]	[mA]
NR3010-1R0N	1.00 $\pm$ 30%	100	120	0.065	1,400	1,450
NR3010-1R2N	1.20 $\pm$ 30%	100	137	0.065	1,250	1,450
NR3010-1R5N	1.50 $\pm$ 30%	100	120	0.080	1,270	1,300
NR3010-2R2N	2.20 $\pm$ 30%	100	100	0.110	1,150	1,090
NR3010-2R7N	2.70 $\pm$ 30%	100	90	0.130	1,000	1,020
NR3010-3R3N	3.30 $\pm$ 30%	100	74	0.145	970	960
NR3010-3R6M	3.60 $\pm$ 20%	100	67	0.165	950	990
NR3010-4R7M	4.70 $\pm$ 20%	100	59	0.225	750	770
NR3010-6R8M	6.80 $\pm$ 20%	100	42	0.305	550	660
NR3010-100M	10.0 $\pm$ 20%	100	39	0.400	550	580
NR3010-120M	12.0 $\pm$ 20%	100	36	0.505	430	520
NR3010-150M	15.0 $\pm$ 20%	100	30	0.610	420	470
NR3010-220M	22.0 $\pm$ 20%	100	28	0.930	350	380
NR3010-270M	27.0 $\pm$ 20%	100	25	1.080	300	350
NR3010-330M	33.0 $\pm$ 20%	100	18	1.550	290	300
NR3010-390M	39.0 $\pm$ 20%	100	18	1.750	280	280
NR3010-430M	43.0 $\pm$ 20%	100	18	1.800	230	270
NR3010-470M	47.0 $\pm$ 20%	100	18	1.950	220	260
NR3010-510M	51.0 $\pm$ 20%	100	18	2.200	210	250
NR3010-560M	56.0 $\pm$ 20%	100	16	2.320	210	240



## NR3012

Part Number	Inductance	Test Frequency	Min.Self-resonant Frequency	DC Resistance	Max.Rated Current Saturation current	Max.Rated Current Temperature rise current
Units	( $\mu$ H)	(KHz)	MHz	( $\Omega$ )	[mA]	[mA]
NR3012-R82N	0.82 $\pm$ 30%	100	180	0.030	2,050	2,470
NR3012-1R0N	1.00 $\pm$ 30%	100	120	0.040	1,870	2,220
NR3012-1R2N	1.20 $\pm$ 30%	100	120	0.045	2,220	2,010
NR3012-1R5N	1.50 $\pm$ 30%	100	110	0.045	1,620	2,010
NR3012-1R8N	1.80 $\pm$ 30%	100	90	0.063	1,300	1,650
NR3012-2R2N	2.20 $\pm$ 30%	100	84	0.075	1,200	1,550
NR3012-2R4N	2.40 $\pm$ 30%	100	100	0.068	1,150	1,600
NR3012-2R7N	2.70 $\pm$ 30%	100	65	0.085	1,140	1,480
NR3012-3R3M	3.30 $\pm$ 20%	100	64	0.100	1,050	1,360
NR3012-3R9M	3.90 $\pm$ 20%	100	61	0.145	1,000	1,240
NR3012-4R7M	4.70 $\pm$ 20%	100	61	0.120	900	1,240
NR3012-6R8M	6.80 $\pm$ 20%	100	61	0.190	750	980
NR3012-100M	10.0 $\pm$ 20%	100	42	0.265	600	830
NR3012-120M	12.0 $\pm$ 20%	100	32	0.345	480	730
NR3012-150M	15.0 $\pm$ 20%	100	27	0.360	450	710
NR3012-180M	18.0 $\pm$ 20%	100	25	0.545	430	580
NR3012-220M	22.0 $\pm$ 20%	100	23	0.645	420	530
NR3012-270M	27.0 $\pm$ 20%	100	21	0.870	350	470
NR3012-330M	33.0 $\pm$ 20%	100	18	0.875	360	460
NR3012-360M	36.0 $\pm$ 20%	100	18	0.950	340	440
NR3012-390M	39.0 $\pm$ 20%	100	18	1.330	300	370
NR3012-470M	47.0 $\pm$ 20%	100	14	1.450	270	350
NR3012-680M	68.0 $\pm$ 20%	100	12	1.670	240	330
NR3012-820M	82.0 $\pm$ 20%	100	12	2.540	170	270
NR3012-101M	100.0 $\pm$ 20%	100	12	2.860	210	250



## NR3015

Part Number	Inductance	Test Frequency	Min.Self-resonant Frequency	DC Resistance	Max.Rated Current Saturation current	Max.Rated Current Temperature rise current
Units	( $\mu$ H)	(KHz)	MHz	( $\Omega$ )	[mA]	[mA]
NR3015-1R0N	1.00 $\pm$ 30%	100	150	0.030	2,320	2,350
NR3015-1R2N	1.20 $\pm$ 30%	100	110	0.040	2,210	1,950
NR3015-1R5N	1.50 $\pm$ 30%	100	100	0.050	2,300	1,700
NR3015-1R8N	1.80 $\pm$ 30%	100	92	0.050	1,750	1,700
NR3015-2R2N	2.20 $\pm$ 30%	100	86	0.060	1,600	1,600
NR3015-2R7N	2.70 $\pm$ 30%	100	64	0.075	1,520	1,430
NR3015-3R3M	3.30 $\pm$ 20%	100	68	0.080	1,320	1,360
NR3015-3R6M	3.60 $\pm$ 20%	100	59	0.105	1,280	1,200
NR3015-4R3M	4.30 $\pm$ 20%	100	53	0.115	1,200	1,140
NR3015-4R7M	4.70 $\pm$ 20%	100	46	0.125	1,100	1,090
NR3015-5R1M	5.10 $\pm$ 20%	100	49	0.133	1,000	1,050
NR3015-6R2M	6.20 $\pm$ 20%	100	46	0.195	1,000	860
NR3015-6R8M	6.80 $\pm$ 20%	100	39	0.200	850	850
NR3015-100M	10.0 $\pm$ 20%	100	41	0.250	720	770
NR3015-120M	12.0 $\pm$ 20%	100	32	0.320	700	680
NR3015-150M	15.0 $\pm$ 20%	100	30	0.350	660	650
NR3015-180M	18.0 $\pm$ 20%	100	23	0.430	560	590
NR3015-220M	22.0 $\pm$ 20%	100	23	0.460	520	570
NR3015-270M	27.0 $\pm$ 20%	100	22	0.730	480	450
NR3015-330M	33.0 $\pm$ 20%	100	20	0.820	440	430
NR3015-390M	39.0 $\pm$ 20%	100	14	0.995	410	390
NR3015-430M	43.0 $\pm$ 20%	100	16	1.060	370	370
NR3015-470M	47.0 $\pm$ 20%	100	14	1.250	350	350
NR3015-560M	56.0 $\pm$ 20%	100	13	1.280	330	340
NR3015-620M	62.0 $\pm$ 20%	100	13	1.610	300	300
NR3015-680M	68. $\pm$ 20%	100	11	2.700	280	230



## NR4010

Part Number	Inductance	Test Frequency	Min.Self-resonant Frequency	DC Resistance	Max.Rated Current Saturation current	Max.Rated Current Temperature rise current
Units	( $\mu$ H)	(KHz)	MHz	( $\Omega$ )	[mA]	[mA]
NR4010-1R0N	1.00 $\pm$ 30%	100	116	0.056	2,000	1,900
NR4010-1R5N	1.50 $\pm$ 30%	100	94	0.070	1,680	1,700
NR4010-2R2M	2.20 $\pm$ 20%	100	73	0.085	1,200	1,500
NR4010-3R3M	3.30 $\pm$ 20%	100	58	0.100	1,100	1,400
NR4010-4R7M	4.70 $\pm$ 20%	100	47	0.140	950	1,200
NR4010-6R8M	6.80 $\pm$ 20%	100	38	0.200	800	1,000
NR4010-100M	10.0 $\pm$ 20%	100	31	0.300	620	750
NR4010-150M	15.0 $\pm$ 20%	100	24	0.430	540	600
NR4010-220M	22.0 $\pm$ 20%	100	19	0.570	450	500

## NR4012

Part Number	Inductance	Test Frequency	Min.Self-resonant Frequency	DC Resistance	Max.Rated Current Saturation current	Max.Rated Current Temperature rise current
Units	( $\mu$ H)	(KHz)	MHz	( $\Omega$ )	[mA]	[mA]
NR4012-R82N	0.82 $\pm$ 30%	100	150	0.050	3,020	1,650
NR4012-1R0N	1.00 $\pm$ 30%	100	120	0.050	2,610	1,650
NR4012-1R5N	1.50 $\pm$ 30%	100	90	0.065	2,100	1,460
NR4012-1R8N	1.80 $\pm$ 30%	100	88	0.080	2,120	1,320
NR4012-2R2N	2.20 $\pm$ 30%	100	74	0.080	1,760	1,320
NR4012-2R7N	2.70 $\pm$ 30%	100	71	0.090	1,900	1,250
NR4012-3R3N	3.30 $\pm$ 30%	100	60	0.110	1,720	1,120
NR4012-3R6N	3.60 $\pm$ 30%	100	57	0.110	1,200	1,120
NR4012-4R3N	4.30 $\pm$ 30%	100	54	0.140	1,580	1,000
NR4012-4R7N	4.70 $\pm$ 30%	100	50	0.125	1,150	1,050
NR4012-5R1N	5.10 $\pm$ 30%	100	50	0.155	1,550	950
NR4012-5R6N	5.60 $\pm$ 30%	100	42	0.140	1,000	1,000
NR4012-6R8M	6.80 $\pm$ 20%	100	40	0.198	850	840
NR4012-100M	10.0 $\pm$ 20%	100	33	0.265	800	770
NR4012-120M	12.0 $\pm$ 20%	100	32	0.290	660	700
NR4012-150M	15.0 $\pm$ 20%	100	25	0.340	560	640
NR4012-180M	18.0 $\pm$ 20%	100	23	0.470	550	550
NR4012-220M	22.0 $\pm$ 20%	100	20	0.587	460	490
NR4012-270M	27.0 $\pm$ 20%	100	18	0.720	500	450
NR4012-330M	33.0 $\pm$ 20%	100	17	0.810	420	420
NR4012-360M	36.0 $\pm$ 20%	100	14	0.900	400	400
NR4012-390M	39.0 $\pm$ 20%	100	16	1.100	550	370
NR4012-470M	47.0 $\pm$ 20%	100	12	1.100	350	370
NR4012-560M	56.0 $\pm$ 20%	100	11	1.250	330	330
NR4012-680M	68.0 $\pm$ 20%	100	11	1.950	380	270
NR4012-820M	82.0 $\pm$ 20%	100	11	2.140	280	260
NR4012-101M	100.0 $\pm$ 20%	100	9.4	2.210	250	250



## NR4018

Part Number	Inductance	Test Frequency	Min.Self-resonant Frequency	DC Resistance	Max.Rated Current Saturation current	Max.Rated Current Temperature rise current
Units	( $\mu$ H)	(KHz)	MHz	( $\Omega$ )	[mA]	[mA]
NR4018-1R0N	1.00 $\pm$ 30%	100	80	0.025.	4,800	2,000
NR4018-1R5N	1.50 $\pm$ 30%	100	65	0.030	3,350	1,800
NR4018-2R2M	2.20 $\pm$ 20%	100	52	0.045	2,700	1,650
NR4018-3R3M	3.30 $\pm$ 20%	100	44	0.070	2,450	1,230
NR4018-4R7M	4.70 $\pm$ 20%	100	34	0.090	1,700	1,200
NR4018-6R8M	6.80 $\pm$ 20%	100	29	0.110	1,450	1,060
NR4018-100M	10.0 $\pm$ 20%	100	24	0.180	1,300	840
NR4018-150M	15.0 $\pm$ 20%	100	19	0.250	940	650
NR4018-220M	22.0 $\pm$ 20%	100	16	0.360	800	590
NR4018-330M	33.0 $\pm$ 20%	100	12	0.530	560	490
NR4018-470M	47.0 $\pm$ 20%	100	10	0.650	570	420
NR4018-680M	68.0 $\pm$ 20%	100	8.3	1.000	470	320
NR4018-101M	100.0 $\pm$ 20%	100	6.5	1.750	400	250
NR4018-151M	150.0 $\pm$ 20%	100	5.5	2.500	310	220
NR4018-221M	220.0 $\pm$ 20%	100	4.0	4.000	270	170





## NR4020

Part Number	Inductance	Test Frequency	Min.Self-resonant Frequency	DC Resistance	Max.Rated Current Saturation current	Max.Rated Current Temperature rise current
Units	( $\mu$ H)	(KHz)	MHz	( $\Omega$ )	[mA]	[mA]
NR4020-R33N	0.33 $\pm$ 30%	100	233	0.013	7,500	3,300
NR4020-1R0N	1.00 $\pm$ 30%	100	75	0.029	4,780	2,150
NR4020-1R2N	1.20 $\pm$ 30%	100	72	0.029	5,100	2,150
NR4020-1R5N	1.50 $\pm$ 30%	100	71	0.035	4,450	1,980
NR4020-2R2N	2.20 $\pm$ 30%	100	49	0.040	3,400	1,850
NR4020-3R3M	3.30 $\pm$ 20%	100	44	0.070	3,200	1,400
NR4020-3R6M	3.60 $\pm$ 20%	100	49	0.055	2,800	1,540
NR4020-4R7M	4.70 $\pm$ 20%	100	42	0.075	2,350	1,340
NR4020-5R1M	5.10 $\pm$ 20%	100	42	0.085	2,300	1,270
NR4020-5R6M	5.60 $\pm$ 20%	100	30	0.090	2,200	1,220
NR4020-6R2M	6.20 $\pm$ 20%	100	36	0.115	2,150	1,080
NR4020-6R8M	6.80 $\pm$ 20%	100	33	0.125	2,200	1,040
NR4020-7R5M	7.50 $\pm$ 20%	100	30	0.115	1,850	1,080
NR4020-8R2M	8.20 $\pm$ 20%	100	27	0.125	1,750	1,040
NR4020-100M	10.0 $\pm$ 20%	100	26	0.165	1,600	900
NR4020-120M	12.0 $\pm$ 20%	100	26	0.175	1,500	880
NR4020-150M	15.0 $\pm$ 20%	100	24	0.230	1,350	770
NR4020-220M	22.0 $\pm$ 20%	100	15	0.350	1,050	620
NR4020-270M	27.0 $\pm$ 20%	100	14	0.545	1,020	500
NR4020-330M	33.0 $\pm$ 20%	100	11	0.550	850	490
NR4020-390M	39.0 $\pm$ 20%	100	11	0.650	820	460
NR4020-430M	43.0 $\pm$ 20%	100	10	0.660	770	450
NR4020-470M	47.0 $\pm$ 20%	100	10	0.710	740	440
NR4020-510M	51.0 $\pm$ 20%	100	10	0.750	700	420
NR4020-560M	56.0 $\pm$ 20%	100	10	0.800	660	410
NR4020-620M	62.0 $\pm$ 20%	100	9.6	0.900	650	390
NR4020-680M	68.0 $\pm$ 20%	100	7.7	1.060	610	360
NR4020-750M	75.0 $\pm$ 20%	100	7.7	1.160	700	350
NR4020-820M	82.0 $\pm$ 20%	100	7.2	1.170	500	340
NR4020-101M	100.0 $\pm$ 20%	100	6.3	1.550	480	310



## NR4026

Part Number	Inductance	Test Frequency	Min.Self-resonant Frequency	DC Resistance	Max.Rated Current Saturation current	Max.Rated Current Temperature rise current
Units	( $\mu$ H)	(KHz)	MHz	( $\Omega$ )	[mA]	[mA]
NR4026-1R2N	1.20 $\pm$ 30%	100	120	0.030	3,100	2,300
NR4026-1R5N	1.50 $\pm$ 30%	100	100	0.030	2,400	2,300
NR4026-2R2M	2.20 $\pm$ 20%	100	96	0.040	2,100	2,000
NR4026-3R3M	3.30 $\pm$ 20%	100	58	0.050	1,800	1,700
NR4026-4R7M	4.70 $\pm$ 20%	100	46	0.055	1,450	1,600
NR4026-6R8M	6.80 $\pm$ 20%	100	33	0.065	1,300	1,500
NR4026-100M	10.0 $\pm$ 20%	100	26	0.085	1,000	1,300
NR4026-150M	15.0 $\pm$ 20%	100	19	0.110	900	1,100
NR4026-220M	22.0 $\pm$ 20%	100	13	0.165	600	900
NR4026-330M	33.0 $\pm$ 20%	100	9	0.270	550	700
NR4026-470M	47.0 $\pm$ 20%	100	6	0.300	400	650

## NR4030

Part Number	Inductance	Test Frequency	Min.Self-resonant Frequency	DC Resistance	Max.Rated Current Saturation current	Max.Rated Current Temperature rise current
Units	( $\mu$ H)	(KHz)	MHz	( $\Omega$ )	[mA]	[mA]
NR4030-1R0N	1.00 $\pm$ 30%	100	70	0.014	5,260	4,150
NR4030-1R2N	1.20 $\pm$ 30%	100	80	0.015	5,800	3,820
NR4030-1R5N	1.50 $\pm$ 30%	100	62	0.020	4,840	3,340
NR4030-1R8N	1.80 $\pm$ 30%	100	60	0.025	5,400	3,200
NR4030-2R2N	2.20 $\pm$ 30%	100	52	0.030	4,900	2,950
NR4030-3R3M	3.30 $\pm$ 20%	100	38	0.040	3,300	2,400
NR4030-3R9M	3.90 $\pm$ 20%	100	32	0.057	3,000	2,100
NR4030-4R3M	4.30 $\pm$ 20%	100	37	0.055	2,950	2,100
NR4030-4R7M	4.70 $\pm$ 20%	100	31	0.060	2,900	2,000
NR4030-5R6M	5.60 $\pm$ 20%	100	30	0.065	2,600	1,950
NR4030-6R8M	6.80 $\pm$ 20%	100	24	0.090	2,750	1,600
NR4030-7R5M	7.50 $\pm$ 20%	100	26	0.085	2,200	1,650
NR4030-8R2M	8.20 $\pm$ 20%	100	26	0.090	2,100	1,600
NR4030-100M	10.0 $\pm$ 20%	100	21	0.100	1,950	1,500
NR4030-120M	12.0 $\pm$ 20%	100	18	0.135	1,700	1,300
NR4030-150M	15.0 $\pm$ 20%	100	16	0.190	1,650	1,110
NR4030-180M	18.0 $\pm$ 20%	100	10	0.200	1,400	1,100
NR4030-220M	22.0 $\pm$ 20%	100	10	0.225	1,300	1,000
NR4030-330M	33.0 $\pm$ 20%	100	10	0.330	1,110	840
NR4030-360M	36.0 $\pm$ 20%	100	9.8	0.335	1,050	830
NR4030-390M	39.0 $\pm$ 20%	100	10	0.435	1,030	730
NR4030-470M	47.0 $\pm$ 20%	100	8.4	0.445	950	720
NR4030-510M	51.0 $\pm$ 20%	100	8.4	0.470	900	700
NR4030-560M	56.0 $\pm$ 20%	100	8.4	0.555	850	650



## NR4030

Part Number	Inductance	Test Frequency	Min.Self-resonant Frequency	DC Resistance	Max.Rated Current Saturation current	Max.Rated Current Temperature rise current
Units	( $\mu$ H)	(KHz)	MHz	( $\Omega$ )	[mA]	[mA]
NR4030-620M	62.0 $\pm$ 20%	100	7	0.585	800	630
NR4030-680M	68.0 $\pm$ 20%	100	7	0.868	720	520
NR4030-750M	75.0 $\pm$ 20%	100	6.3	1.020	700	480
NR4030-820M	82.0 $\pm$ 20%	100	5.6	1.060	660	470
NR4030-910M	91.0 $\pm$ 20%	100	5.6	1.100	650	460
NR4030-101M	100.0 $\pm$ 20%	100	5.6	1.150	600	450
NR4030-121M	120.0 $\pm$ 20%	100	5.4	1.350	550	420
NR4030-151M	150.0 $\pm$ 20%	100	4	1.800	500	300
NR4030-471M	470.0 $\pm$ 20%	100	2	7.200	300	200
NR4030-501M	500.0 $\pm$ 20%	100	2	6.944	280	150
NR4030-681M	680.0 $\pm$ 20%	100	1.2	7.580	190	140

## NR5012

Part Number	Inductance	Test Frequency	Min.Self-resonant Frequency	DC Resistance	Max.Rated Current Saturation current	Max.Rated Current Temperature rise current
Units	( $\mu$ H)	(KHz)	MHz	( $\Omega$ )	[mA]	[mA]
NR5012-1R0N	1.00 $\pm$ 30%	100	103	0.057	4,400	2,000
NR5012-1R5N	1.50 $\pm$ 30%	100	68	0.072	3,700	1,900
NR5012-2R2N	2.20 $\pm$ 30%	100	50	0.090	3,100	1,700
NR5012-3R3N	3.30 $\pm$ 30%	100	34	0.126	2,400	1,400
NR5012-4R7N	4.70 $\pm$ 30%	100	31	0.164	2,200	1,300
NR5012-6R8M	6.80 $\pm$ 20%	100	22	0.245	1,700	1,000
NR5012-100M	10.0 $\pm$ 20%	100	17	0.344	1,400	850
NR5012-150M	15.0 $\pm$ 20%	100	13	0.436	1,200	800



## NR5020

Part Number	Inductance	Test Frequency	Min.Self-resonant Frequency	DC Resistance	Max.Rated Current Saturation current	Max.Rated Current Temperature rise current
Units	( $\mu$ H)	(KHz)	MHz	( $\Omega$ )	[mA]	[mA]
NR5020-R47N	0.47 $\pm$ 30%	100	160	0.013	6,150	4,600
NR5020-R68M	0.68 $\pm$ 20%	100	120	0.017	5,500	4,000
NR5020-R75N	0.75 $\pm$ 30%	100	117	0.017	5,500	4,000
NR5020-1R0N	1.00 $\pm$ 30%	100	114	0.020	4,100	3,800
NR5020-1R2N	1.20 $\pm$ 30%	100	83	0.022	4,500	3,550
NR5020-1R5N	1.50 $\pm$ 30%	100	68	0.026	4,100	3,200
NR5020-2R2N	2.20 $\pm$ 30%	100	57	0.032	3,200	2,900
NR5020-2R7N	2.70 $\pm$ 30%	100	52	0.038	2,900	2,700
NR5020-3R0N	3.00 $\pm$ 30%	100	49	0.038	2,550	2,700
NR5020-3R3N	3.30 $\pm$ 30%	100	46	0.043	2,550	2,500
NR5020-3R6N	3.60 $\pm$ 30%	100	43	0.043	2,800	2,500
NR5020-3R9N	3.90 $\pm$ 30%	100	40	0.043	2,300	2,500
NR5020-4R3M	4.30 $\pm$ 20%	100	37	0.057	2,500	2,200
NR5020-4R7M	4.70 $\pm$ 20%	100	37	0.057	2,500	2,200
NR5020-5R1M	5.10 $\pm$ 20%	100	32	0.064	2,250	2,050
NR5020-5R6M	5.60 $\pm$ 20%	100	32	0.064	2,300	2,050
NR5020-6R8M	6.80 $\pm$ 20%	100	30	0.083	2,050	1,800
NR5020-7R5M	7.50 $\pm$ 20%	100	26	0.090	1,850	1,750
NR5020-8R2M	8.20 $\pm$ 20%	100	26	0.098	1,850	1,650
NR5020-9R1M	9.10 $\pm$ 20%	100	24	0.110	1,700	1,550
NR5020-100M	10.0 $\pm$ 20%	100	24	0.110	1,700	1,550
NR5020-120M	12.0 $\pm$ 20%	100	22	0.140	1,500	1,400
NR5020-150M	15.0 $\pm$ 20%	100	20	0.165	1,350	1,250
NR5020-180M	18.0 $\pm$ 20%	100	16	0.200	1,250	1,150
NR5020-220M	22.0 $\pm$ 20%	100	14	0.226	1,150	1,100
NR5020-330M	33.0 $\pm$ 20%	100	10	0.390	920	900
NR5020-470M	47.0 $\pm$ 20%	100	7	0.523	770	770
NR5020-560M	56.0 $\pm$ 20%	100	6	0.630	770	700
NR5020-680M	68.0 $\pm$ 20%	100	6	0.740	650	640
NR5020-101M	100.0 $\pm$ 20%	100	6	1.100	530	530



## NR5040

Part Number	Inductance	Test Frequency	Min.Self-resonant Frequency	DC Resistance	Max.Rated Current Saturation current	Max.Rated Current Temperature rise current
Units	( $\mu$ H)	(KHz)	MHz	( $\Omega$ )	[mA]	[mA]
NR5040-1R0N	1.00 $\pm$ 30%	100	117	0.012	7,350	4,900
NR5040-1R2N	1.20 $\pm$ 30%	100	110	0.016	6,500	4,150
NR5040-1R5N	1.50 $\pm$ 30%	100	86	0.015	6,300	4,300
NR5040-2R2N	2.20 $\pm$ 30%	100	50	0.019	4,900	3,800
NR5040-2R7N	2.70 $\pm$ 30%	100	37	0.022	4,300	3,600
NR5040-3R0N	3.00 $\pm$ 30%	100	37	0.022	4,150	3,600
NR5040-3R3N	3.30 $\pm$ 30%	100	32	0.024	3,950	3,400
NR5040-3R9N	3.90 $\pm$ 30%	100	29	0.027	3,550	3,200
NR5040-4R7N	4.70 $\pm$ 30%	100	28	0.030	3,500	3,000
NR5040-5R6M	5.60 $\pm$ 20%	100	27	0.035	3,000	2,800
NR5040-6R8M	6.80 $\pm$ 20%	100	21	0.043	2,900	2,500
NR5040-8R2M	8.20 $\pm$ 20%	100	20	0.048	2,700	2,300
NR5040-100M	10.0 $\pm$ 20%	100	18	0.064	2,350	2,100
NR5040-150M	15.0 $\pm$ 20%	100	13	0.086	2,000	2,000
NR5040-220M	22.0 $\pm$ 20%	100	11	0.129	1,600	1,500
NR5040-330M	33.0 $\pm$ 20%	100	9	0.188	1,300	1,200
NR5040-470M	47.0 $\pm$ 20%	100	7	0.272	1,100	1,000
NR5040-680M	68.0 $\pm$ 20%	100	6	0.400	900	800
NR5040-101M	100.0 $\pm$ 20%	100	5	0.560	750	700
NR5040-151M	150.0 $\pm$ 20%	100	3.7	0.750	650	600



## NR6020

Part Number	Inductance	Test Frequency	Min.Self-resonant Frequency	DC Resistance	Max.Rated Current Saturation current	Max.Rated Current Temperature rise current
Units	( $\mu$ H)	(KHz)	MHz	( $\Omega$ )	[mA]	[mA]
NR6020-R50N	0.50 $\pm$ 30%	100	120	0.014	4,500	4,000
NR6020-R68N	0.68 $\pm$ 30%	100	115	0.017	6,550	3,800
NR6020-R82N	0.82 $\pm$ 30%	100	110	0.017	5,300	3,800
NR6020-1R0N	1.00 $\pm$ 30%	100	100	0.020	4,150	3,500
NR6020-1R2N	1.20 $\pm$ 30%	100	88	0.022	5,900	3,200
NR6020-1R5N	1.50 $\pm$ 30%	100	79	0.022	4,250	3,200
NR6020-1R8N	1.80 $\pm$ 30%	100	68	0.028	4,850	2,750
NR6020-2R0N	2.00 $\pm$ 30%	100	65	0.035	4,100	2,600
NR6020-2R2N	2.20 $\pm$ 30%	100	61	0.028	3,750	2,750
NR6020-2R7N	2.70 $\pm$ 30%	100	56	0.035	3,900	2,600
NR6020-3R3N	3.30 $\pm$ 30%	100	51	0.035	3,150	2,600
NR6020-3R9N	3.90 $\pm$ 30%	100	45	0.049	3,250	2,100
NR6020-4R3N	4.30 $\pm$ 30%	100	44	0.049	2,700	2,100
NR6020-4R7N	4.70 $\pm$ 30%	100	41	0.058	3,000	2,000
NR6020-5R6N	5.60 $\pm$ 30%	100	36	0.058	2,400	1,900
NR6020-6R2N	6.20 $\pm$ 30%	100	31	0.079	2,300	1,800
NR6020-6R8N	6.80 $\pm$ 30%	100	31	0.079	2,200	1,800
NR6020-8R2N	8.20 $\pm$ 30%	100	27	0.105	2,100	1,400
NR6020-100M	10.0 $\pm$ 20%	100	27	0.105	1,750	1,400
NR6020-120M	12.0 $\pm$ 20%	100	25	0.120	1,450	1,300
NR6020-150M	15.0 $\pm$ 20%	100	21	0.145	1,200	1,200
NR6020-180M	18.0 $\pm$ 20%	100	18	0.180	1,200	1,080
NR6020-220M	22.0 $\pm$ 20%	100	16	0.204	1,050	1,000
NR6020-330M	33.0 $\pm$ 20%	100	11	0.300	950	840



## NR6028

Part Number	Inductance	Test Frequency	Min.Self-resonant Frequency	DC Resistance	Max.Rated Current Saturation current	Max.Rated Current Temperature rise current
Units	( $\mu$ H)	(KHz)	MHz	( $\Omega$ )	[mA]	[mA]
NR6028-1R0N	1.00 $\pm$ 30%	100	70	0.010	5,750	5,200
NR6028-1R2N	1.20 $\pm$ 30%	100	65	0.013	6,400	4,580
NR6028-1R5N	1.50 $\pm$ 30%	100	65	0.013	6,000	4,580
NR6028-2R2N	2.20 $\pm$ 30%	100	48	0.020	5,100	3,750
NR6028-2R7N	2.70 $\pm$ 30%	100	48	0.020	3,800	3,750
NR6028-3R3N	3.30 $\pm$ 30%	100	41	0.025	4,150	3,480
NR6028-4R7N	4.70 $\pm$ 30%	100	35	0.030	3,000	3,080
NR6028-5R1N	5.10 $\pm$ 30%	100	32	0.043	3,200	2,600
NR6028-6R2M	6.20 $\pm$ 20%	100	30	0.047	3,050	2,400
NR6028-6R8M	6.80 $\pm$ 20%	100	27	0.047	2,600	2,400
NR6028-8R2M	8.20 $\pm$ 20%	100	24	0.055	2,300	2,250
NR6028-9R1M	9.10 $\pm$ 20%	100	24	0.074	2,550	2,150
NR6028-100M	10.0 $\pm$ 20%	100	23	0.072	2,040	1,950
NR6028-120M	12.0 $\pm$ 20%	100	18	0.080	1,800	1,850
NR6028-150M	15.0 $\pm$ 20%	100	18	0.125	1,750	1,450
NR6028-180M	18.0 $\pm$ 20%	100	15	0.120	1,520	1,450
NR6028-220M	22.0 $\pm$ 20%	100	14	0.140	1,450	1,400
NR6028-270M	27.0 $\pm$ 20%	100	13	0.155	1,500	1,320
NR6028-330M	33.0 $\pm$ 20%	100	12	0.185	1,350	1,220
NR6028-360M	36.0 $\pm$ 20%	100	11	0.215	1,250	1,130
NR6028-390M	39.0 $\pm$ 20%	100	11	0.225	1,250	1,100
NR6028-470M	47.0 $\pm$ 20%	100	9.5	0.315	1,150	1,060
NR6028-560M	56.0 $\pm$ 20%	100	8.2	0.345	1,050	890
NR6028-680M	68.0 $\pm$ 20%	100	7.7	0.360	800	860
NR6028-750M	75.0 $\pm$ 20%	100	7.7	0.410	900	810
NR6028-820M	82.0 $\pm$ 20%	100	7.7	0.500	800	700
NR6028-101M	100.0 $\pm$ 20%	100	7.1	0.500	650	700



## NR6045

Part Number	Inductance	Test Frequency	Min.Self-resonant Frequency	DC Resistance	Max.Rated Current Saturation current	Max.Rated Current Temperature rise current
Units	( $\mu$ H)	(KHz)	MHz	( $\Omega$ )	[mA]	[mA]
NR6045-R47N	0.47 $\pm$ 30%	100	155	0.006	15,000	6,500
NR6045-R68N	0.68 $\pm$ 30%	100	99	0.006	11,000	5,700
NR6045-R82N	0.82 $\pm$ 30%	100	140	0.008	10,350	5,900
NR6045-1R0N	1.00 $\pm$ 30%	100	100	0.011	9,850	5,140
NR6045-1R2N	1.20 $\pm$ 30%	100	100	0.010	8,350	5,400
NR6045-1R5N	1.50 $\pm$ 30%	100	65	0.012	8,800	4,950
NR6045-1R8N	1.80 $\pm$ 30%	100	74	0.012	7,600	4,950
NR6045-2R2N	2.20 $\pm$ 30%	100	52	0.014	6,750	4,600
NR6045-2R3N	2.30 $\pm$ 30%	100	60	0.021	6,000	3,500
NR6045-2R7N	2.70 $\pm$ 30%	100	38	0.015	5,750	4,300
NR6045-3R0N	3.00 $\pm$ 30%	100	35	0.020	5,600	3,800
NR6045-3R3N	3.30 $\pm$ 30%	100	32	0.021	5,900	3,700
NR6045-3R6N	3.60 $\pm$ 30%	100	28	0.021	5,250	3,700
NR6045-4R3M	4.30 $\pm$ 20%	100	23	0.023	4,450	3,500
NR6045-4R5M	4.50 $\pm$ 20%	100	24	0.026	4,970	3,300
NR6045-4R7M	4.70 $\pm$ 20%	100	24	0.026	4,970	3,300
NR6045-5R1M	5.10 $\pm$ 20%	100	23	0.026	4,400	3,300
NR6045-5R6M	5.60 $\pm$ 20%	100	23	0.029	4,150	3,150
NR6045-6R2M	6.20 $\pm$ 20%	100	26	0.031	4,430	3,000
NR6045-6R3M	6.30 $\pm$ 20%	100	26	0.031	4,430	3,000
NR6045-6R8M	6.80 $\pm$ 20%	100	20	0.031	3,900	3,000
NR6045-7R5M	7.50 $\pm$ 20%	100	18	0.034	3,500	2,900
NR6045-8R2M	8.20 $\pm$ 20%	100	21	0.043	3,900	2,600
NR6045-9R1M	9.10 $\pm$ 20%	100	17	0.043	3,350	2,600
NR6045-100M	10.0 $\pm$ 20%	100	15	0.048	3,200	2,450
NR6045-120M	12.0 $\pm$ 20%	100	13	0.058	2,800	2,20
NR6045-150M	15.0 $\pm$ 20%	100	12	0.068	2,500	2,050
NR6045-180M	18.0 $\pm$ 20%	100	10	0.081	2,200	1,850





## NR6045

Part Number	Inductance	Test Frequency	Min.Self-resonant Frequency	DC Resistance	Max.Rated Current Saturation current	Max.Rated Current Temperature rise current
Units	( $\mu$ H)	(KHz)	MHz	( $\Omega$ )	[mA]	[mA]
NR6045-220M	22.0 $\pm$ 20%	100	10	0.089	2,050	1,800
NR6045-270M	27.0 $\pm$ 20%	100	9.2	0.102	1,900	1,650
NR6045-300M	30.0 $\pm$ 20%	100	7.8	0.132	1,700	1,500
NR6045-330M	33.0 $\pm$ 20%	100	7.8	0.137	1,650	1,450
NR6045-360M	36.0 $\pm$ 20%	100	7.8	0.173	1,620	1,400
NR6045-390M	39.0 $\pm$ 20%	100	7.8	0.180	1,500	1,250
NR6045-430M	43.0 $\pm$ 20%	100	7.7	0.200	1,630	1,200
NR6045-470M	47.0 $\pm$ 20%	100	6.4	0.200	1,400	1,200
NR6045-510M	51.0 $\pm$ 20%	100	6.4	0.207	1,350	1,150
NR6045-560M	56.0 $\pm$ 20%	100	6.4	0.221	1,300	1,100
NR6045-620M	62.0 $\pm$ 20%	100	6.4	0.235	1,250	1,100
NR6045-680M	68.0 $\pm$ 20%	100	6.4	0.289	1,200	1,000
NR6045-750M	75.0 $\pm$ 20%	100	5.0	0.305	1,150	950
NR6045-820M	82.0 $\pm$ 20%	100	4.9	0.341	1,050	900
NR6045-910M	91.0 $\pm$ 20%	100	4.9	0.359	1,000	850
NR6045-101M	100.0 $\pm$ 20%	100	4.2	0.433	950	800
NR6045-121M	120.0 $\pm$ 20%	100	4.2	0.484	850	770
NR6045-151M	150.0 $\pm$ 20%	100	4.2	0.580	800	700
NR6045-221M	220.0 $\pm$ 20%	100	3.5	0.834	700	590
NR6045-331M	330.0 $\pm$ 20%	100	2.8	1.270	570	570



## NR8040

Part Number	Inductance	Test Frequency	Min.Self-resonant Frequency	DC Resistance	Max.Rated Current Saturation current	Max.Rated Current Temperature rise current
Units	( $\mu$ H)	(KHz)	MHz	( $\Omega$ )	[mA]	[mA]
NR8040-R82N	0.82 $\pm$ 30%	100	94	0.008	13,800	6,300
NR8040-1R0N	1.00 $\pm$ 30%	100	89	0.008	9,850	6,300
NR8040-1R2N	1.20 $\pm$ 30%	100	59	0.010	10,000	5,650
NR8040-1R5N	1.50 $\pm$ 30%	100	67	0.010	1,150	5,650
NR8040-2R0N	2.00 $\pm$ 30%	100	43	0.012	9,250	5,150
NR8040-2R2N	2.20 $\pm$ 30%	100	41	0.012	7,100	5,150
NR8040-3R0N	3.00 $\pm$ 30%	100	32	0.014	6,100	4,700
NR8040-3R3N	3.30 $\pm$ 30%	100	27	0.017	6,500	4,400
NR8040-3R6N	3.60 $\pm$ 30%	100	30	0.017	7,520	4,350
NR8040-3R9N	3.90 $\pm$ 30%	100	26	0.017	5,750	4,350
NR8040-4R7N	4.70 $\pm$ 30%	100	24	0.019	5,900	4,100
NR8040-5R1N	5.10 $\pm$ 30%	100	22	0.019	4,700	4,050
NR8040-5R6N	5.60 $\pm$ 30%	100	24	0.021	6,000	3,850
NR8040-6R2N	6.20 $\pm$ 30%	100	20	0.021	4,450	3,850
NR8040-6R8M	6.80 $\pm$ 20%	100	20	0.024	4,550	3,600
NR8040-8R2M	8.20 $\pm$ 20%	100	17	0.026	4,200	3,450
NR8040-100M	10.0 $\pm$ 20%	100	15	0.029	3,600	3,300
NR8040-120M	12.0 $\pm$ 20%	100	13	0.041	3,500	2,800
NR8040-150M	15.0 $\pm$ 20%	100	12	0.047	2,950	2,60
NR8040-180M	18.0 $\pm$ 20%	100	11	0.053	2,700	2,400
NR8040-220M	22.0 $\pm$ 20%	100	9.5	0.069	2,400	2,100
NR8040-270M	27.0 $\pm$ 20%	100	9.2	0.078	2,150	2,000
NR8040-330M	33.0 $\pm$ 20%	100	7.8	0.097	2,050	1,800
NR8040-360M	36.0 $\pm$ 20%	100	7.8	0.102	2,000	1,750
NR8040-390M	39.0 $\pm$ 20%	100	7.8	0.107	1,950	1,700
NR8040-430M	43.0 $\pm$ 20%	100	7.8	0.113	1,900	1,650
NR8040-470M	47.0 $\pm$ 20%	100	6.4	0.136	1,750	1,550
NR8040-510M	51.0 $\pm$ 20%	100	6.4	0.142	1,700	1,500



## NR8040

Part Number	Inductance	Test Frequency	Min.Self-resonant Frequency	DC Resistance	Max.Rated Current Saturation current	Max.Rated Current Temperature rise current
Units	( $\mu$ H)	(KHz)	MHz	( $\Omega$ )	[mA]	[mA]
NR8040-560M	56.0 $\pm$ 20%	100	6.4	0.148	1,550	1,450
NR8040-620M	62.0 $\pm$ 20%	100	6.4	0.182	1,500	1,300
NR8040-680M	68.0 $\pm$ 20%	100	4.9	0.196	1,450	1,250
NR8040-750M	75.0 $\pm$ 20%	100	4.9	0.211	1,350	1,200
NR8040-820M	82.0 $\pm$ 20%	100	5.9	0.225	1,300	1,150
NR8040-910M	91.0 $\pm$ 20%	100	4.9	0.272	1,200	1,050
NR8040-101M	100.0 $\pm$ 20%	100	4.2	0.290	1,150	1,000
NR8040-121M	120. $\pm$ 20%	100	3.5	0.334	1,050	950
NR8040-151M	150.0 $\pm$ 20%	100	3.5	0.410	1,100	850
NR8040-221M	220.0 $\pm$ 20%	100	3.5	0.599	850	800
NR8040-331M	330.0 $\pm$ 20%	100	2.8	0.889	680	640